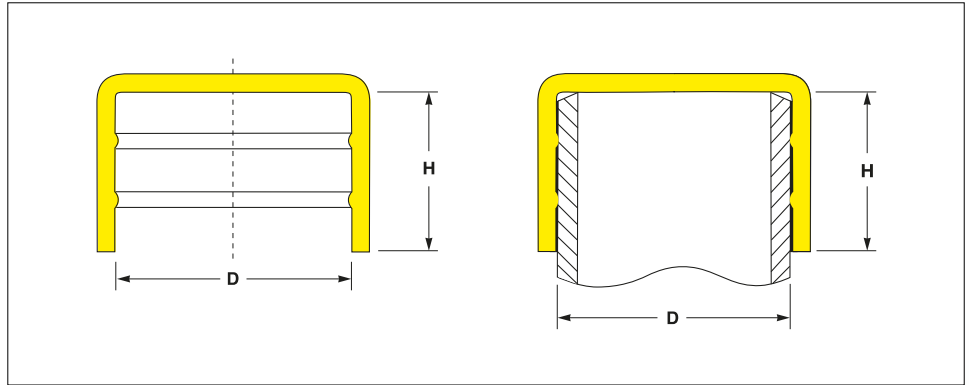


Pipe Protection Caps

The Original. One piece construction. Injection – moulded. Up to 64." nominal pipe size. Complemented with over 170 additional sizes
Internal ribs provide tight fit and release pressure build up



All dimensions in mm

| Dimensions | | | Colour | Standard Pack | Reference No. |
|------------|---------|------|---------|---------------|--------------------|
| D | Nom Ø | H | | | |
| 4.0 | | 22.0 | yellow | 5.000 | EP 260 / 4.0 |
| 5.0 | | 18.7 | natural | 20.000 | EP 260 / 5.0 |
| 6.0 | | 18.9 | yellow | 5.000 | EP 260 / 6.0 |
| 6.35 | | 13.0 | yellow | 5.000 | EP 260 / 6.35 |
| 7.0 | | 18.6 | yellow | 5.000 | EP 260 / 7.0 |
| 8.2 | | 17.2 | yellow | 10.000 | EP 260 / 8.0 |
| 9.6 | | 14.0 | yellow | 5.000 | EP 260 / 9.6 |
| 10.2 | R .1/8" | 18.6 | yellow | 8.000 | EP 260 / 10.2 |
| 11.0 | | 19.0 | yellow | 15.000 | EP 260 / 11.0 |
| 12.0 | | 18.5 | yellow | 15.000 | EP 260 / 12.0 |
| 12.7 | | 19.3 | yellow | 13.500 | EP 260 / 12.7 |
| 13.0 | | 18.7 | yellow | 5.000 | EP 260 / 13.0 |
| 13.7 | R .1/4" | 18.4 | yellow | 5.000 | EP 260 / 13.7 |
| 14.0 | | 18.6 | yellow | 5.000 | EP 260 / 14.0 |
| 15.0 | | 19.1 | yellow | 5.000 | EP 260 / 15.0 |
| 16.0 | | 19.8 | yellow | 5.000 | EP 260 / 16.0 |
| 17.2 | R .3/8" | 20.2 | yellow | 5.000 | EP 260 / 17.2 |
| 18.0 | | 20.0 | yellow | 5.000 | EP 260 / 18.0 |
| 19.0 | | 20.0 | yellow | 6.000 | EP 260 / 19.0 |
| 20.0 | | 20.0 | yellow | 5.000 | EP 260 / 20.0 |
| 21.3 | R .1/2" | 20.0 | yellow | 5.000 | EP 260 / 21.3 |
| 22.0 | | 20.0 | yellow | 5.000 | EP 260 / 22.0 |
| 23.2 | | 19.0 | yellow | 4.500 | EP 260 / 23.2 |
| 24.0 | | 18.4 | yellow | 4.000 | EP 260 / 24.0 |
| 24.8 | | 16.9 | natural | 4.000 | EP 260 / 24.8 |
| 25.0 | | 50.0 | yellow | 1.000 | EP 260 / 25.0 × 80 |

Material :
LLD-PE,
linear low density polyethylene

Standard Colours :
yellow, natural

The Original
One piece construction
Injection-moulded

Up to 64." nominal pipe size and complemented with over 170 additional sizes. Internal ribs provide tight fit and release pressure build up.

Think Plastic. Go Protec.®

PROTEC
PLASTICS

Should your requirements not be shown please ask for a separate quotation.
PROTEC products and specifications are subject to improvement and change without notice.

Pipe Protection Caps

The Original. One piece construction. Injection – moulded. Up to 64."nominal pipe size
Complemented with over 170 additional sizes
Internal ribs provide tight fit and release pressure build up

TRIPLE ADVANTAGE of PROTEC CAPTOP®

QUALITY. This comprehensive range of high quality protection caps is available for all nominal pipe sizes and is complemented with a vast range of additional sizes and lengths to suit a wide variety of applications.

AVAILABILITY. With over 400 million moulded components shipped from our UK logistics center we provide the fastest on time delivery service to all industries of the UK market.

PHILOSOPHY. Innovative protective closures at the best price in the market.



CAPTOP®



Material :
LLD-PE,
linear low density polyethylene

Standard Colours :
yellow, natural

Individual Productions :
On request we develop and produce individually tailored solutions next to the standard items of this range: additional dimensions, different materials and new colours

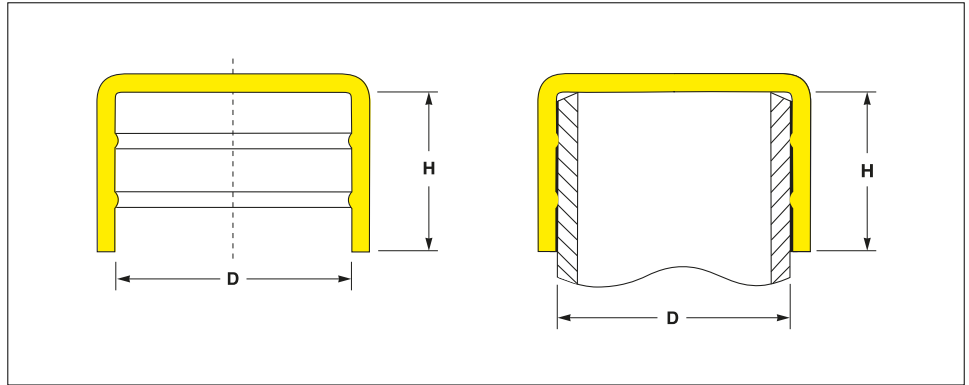
We would be pleased to advise you.

Think Plastic. Go Protec.®

PROTEC
PLASTICS

Pipe Protection Caps

The Original. One piece construction. Injection – moulded. Up to 64." nominal pipe size. Complemented with over 170 additional sizes
Internal ribs provide tight fit and release pressure build up



All dimensions in mm

| Dimensions | | | Colour | Standard Pack | Reference No. |
|------------|----------|------|---------|---------------|--------------------|
| D | Nom Ø | H | | | |
| 25.4 | | 20.0 | yellow | 4.000 | EP 260 / 25.4 |
| 26.0 | | 18.0 | yellow | 5.000 | EP 260 / 26.0 |
| 26.9 | R .3/4" | 27.6 | yellow | 3.000 | EP 260 / 26.9 |
| 26.9 | | 79.2 | yellow | 800 | EP 260 / 26.9 × 80 |
| 28.0 | | 22.5 | yellow | 2.500 | EP 260 / 28.0 |
| 30.0 | | 27.5 | yellow | 2.000 | EP 260 / 30.0 |
| 31.8 | | 27.0 | yellow | 2.000 | EP 260 / 31.8 |
| 31.8 | | 90.0 | yellow | 450 | EP 260 / 31.8 × 90 |
| 33.7 | R 1." | 23.0 | yellow | 2.000 | EP 260 / 33.7 |
| 35.0 | | 27.0 | yellow | 1.800 | EP 260 / 35.0 |
| 38.1 | | 27.0 | yellow | 1.500 | EP 260 / 38.1 |
| 38.1 | | 90.0 | yellow | 400 | EP 260 / 38.1 × 90 |
| 39.0 | | 17.0 | natural | 2.000 | EP 260 / 39.0 |
| 40.0 | | 27.0 | yellow | 1.500 | EP 260 / 40.0 |
| 41.5 | | 25.6 | yellow | 1.500 | EP 260 / 41.5 |
| 42.4 | R 1.1/4" | 32.2 | yellow | 1.000 | EP 260 / 42.4 |
| 42.4 | | 80.0 | yellow | 350 | EP 260 / 42.4 × 80 |
| 44.5 | | 35.0 | yellow | 800 | EP 260 / 44.5 |
| 44.5 | | 80.0 | yellow | 400 | EP 260 / 44.5 × 80 |
| 45.4 | | 20.0 | yellow | 1.250 | EP 260 / 45.4 |
| 48.3 | R 1.1/2" | 31.7 | yellow | 800 | EP 260 / 48.3 |
| 50.8 | | 26.9 | yellow | 1.000 | EP 260 / 50.8 |
| 51.0 | | 90.0 | yellow | 250 | EP 260 / 51.0 × 90 |
| 52.0 | | 33.0 | natural | 800 | EP 260 / 52.0 |
| 52.8 | | 28.0 | natural | 800 | EP 260 / 52.8 |
| 54.0 | R 1.3/4" | 35.0 | yellow | 650 | EP 260 / 54.0 |

Material :
LLD-PE,
linear low density polyethylene

Standard Colours :
yellow, natural

The Original
One piece construction
Injection-moulded

Up to 64." nominal pipe size and complemented with over 170 additional sizes. Internal ribs provide tight fit and release pressure build up.

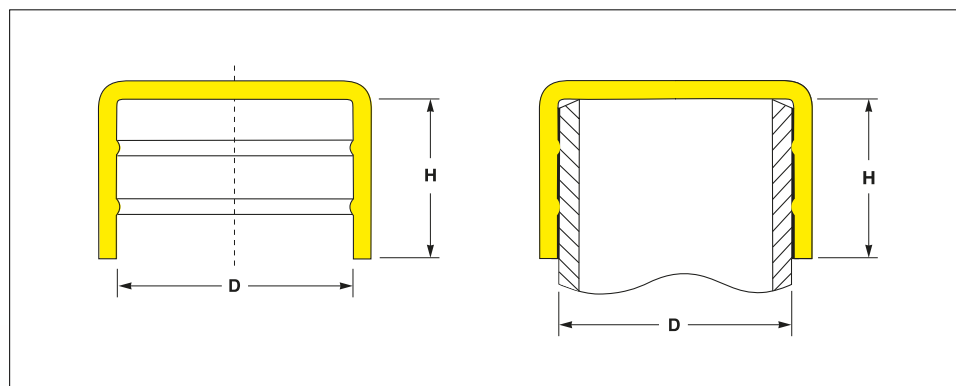
Think Plastic. Go Protec.®

PROTEC
PLASTICS

Should your requirements not be shown please ask for a separate quotation.
PROTEC products and specifications are subject to improvement and change without notice.

Pipe Protection Caps

The Original. One piece construction. Injection – moulded. Up to 64." nominal pipe size
Complemented with over 170 additional sizes
Internal ribs provide tight fit and release pressure build up



CAPTOP®

All dimensions in mm

| Dimensions | | | Colour | Standard Pack | Reference No. |
|------------|----------|------|---------|---------------|--------------------|
| D | Nom Ø | H | | | |
| 55.0 | | 29.0 | natural | 750 | EP 260 / 55.0 |
| 57.0 | | 35.0 | yellow | 600 | EP 260 / 57.0 |
| 57.0 | | 80.0 | yellow | 250 | EP 260 / 57.0 × 80 |
| 59.0 | | 28.6 | yellow | 750 | EP 260 / 59.0 |
| 60.3 | R 2." | 32.0 | yellow | 600 | EP 260 / 60.3 |
| 63.5 | | 32.0 | yellow | 500 | EP 260 / 63.5 |
| 63.5 | | 90.0 | yellow | 175 | EP 260 / 63.5 × 90 |
| 65.0 | | 35.5 | yellow | 500 | EP 260 / 65.0 |
| 66.5 | | 35.0 | yellow | 400 | EP 260 / 66.5 |
| 67.0 | | 36.0 | yellow | 500 | EP 260 / 67.0 |
| 70.0 | | 30.0 | yellow | 500 | EP 260 / 70.0 |
| 73.0 | | 37.5 | yellow | 350 | EP 260 / 73.0 |
| 75.0 | | 38.0 | natural | 300 | EP 260 / 75.0 |
| 76.1 | R 2.1/2" | 32.0 | yellow | 400 | EP 260 / 76.1 |
| 77.0 | | 35.5 | natural | 350 | EP 260 / 77.0 |
| 78.0 | | 26.0 | yellow | 350 | EP 260 / 78.0 |
| 79.4 | | 27.0 | yellow | 500 | EP 260 / 79.4 |
| 81.0 | | 30.5 | natural | 350 | EP 260 / 81.0 |
| 82.5 | | 30.5 | yellow | 350 | EP 260 / 82.5 |
| 83.0 | R 2.3/4" | 31.7 | yellow | 350 | EP 260 / 83.0 |
| 85.0 | | 32.2 | natural | 350 | EP 260 / 85.0 |
| 88.9 | R 3." | 31.7 | yellow | 300 | EP 260 / 88.9 |
| 88.9 | | 88.2 | yellow | 300 | EP 260 / 88.9 × 90 |
| 90.0 | | 92.0 | yellow | 80 | EP 260 / 90.0 × 90 |
| 92.4 | | 23.9 | yellow | 350 | EP 260 / 92.4 |
| 95.0 | | 33.7 | yellow | 300 | EP 260 / 95.0 |

Material :
LLD-PE,
linear low density polyethylene

Standard Colours :
yellow, natural

Individual Productions :
On request we develop and produce individually tailored solutions next to the standard items of this range: additional dimensions, different materials and new colours

We would be pleased to advise you.

Think Plastic. Go Protec.®

PROTEC
PLASTICS

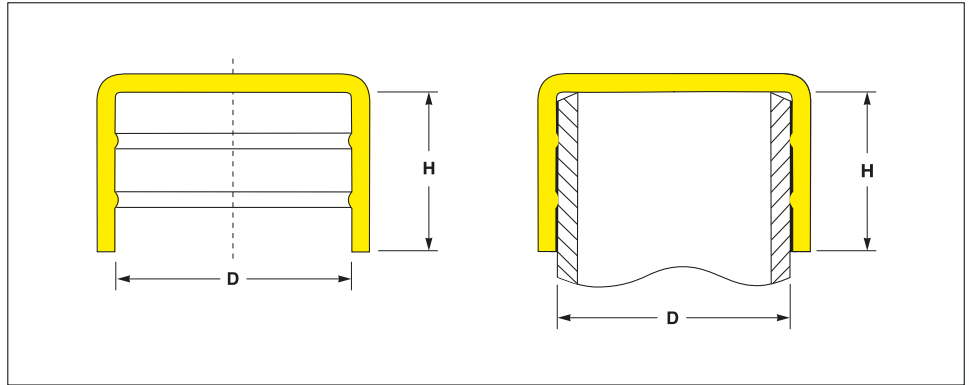
Should your requirements not be shown please ask for a separate quotation.
PROTEC products and specifications are subject to improvement and change without notice.

Pipe Protection Caps

The Original. One piece construction. Injection – moulded. Up to 64." nominal pipe size. Complemented with over 170 additional sizes
Internal ribs provide tight fit and release pressure build up

strong

**FLEXIBLE
PRODUCTION**



All dimensions in mm

| Dimensions | | | Colour | Standard Pack | Reference No. |
|------------|----------|------|---------|---------------|---------------------|
| D | Nom Ø | H | | | |
| 100.0 | | 40.0 | natural | 200 | EP 260 / 100.0 |
| 101.6 | | 42.0 | yellow | 200 | EP 260 / 101.6 |
| 102.0 | | 40.0 | yellow | 200 | EP 260 / 102.0 |
| 103.0 | | 39.0 | natural | 175 | EP 260 / 103.0 |
| 105.0 | | 39.0 | Natur | 200 | EP 260 / 105.0 |
| 106.0 | | 42.0 | yellow | 175 | EP 260 / 106.0 |
| 108.0 | | 38.0 | yellow | 200 | EP 260 / 108.0 |
| 108.5 | | 90.0 | yellow | 60 | EP 260 / 108.5 × 90 |
| 110.0 | | 38.0 | yellow | 175 | EP 260 / 110.0 |
| 114.3 | R 4." | 38.0 | yellow | 150 | EP 260 / 114.3 |
| 114.3 | | 90.0 | natural | – | EP 260 / 114.3 × 90 |
| 116.3 | | 38.0 | grey | 150 | EP 260 / 116.3 |
| 117.5 | | 38.0 | natural | 150 | EP 260 / 117.5 |
| 121.0 | | 37.2 | yellow | 150 | EP 260 / 121.0 |
| 125.0 | | 38.0 | yellow | 150 | EP 260 / 125.0 |
| 126.0 | | 37.2 | natural | 150 | EP 260 / 126.0 |
| 127.0 | R 4.1/2" | 39.0 | yellow | 140 | EP 260 / 127.0 |
| 130.0 | | 40.0 | natural | 130 | EP 260 / 130.0 |
| 133.0 | | 40.0 | yellow | 125 | EP 260 / 133.0 |
| 133.7 | | 96.0 | yellow | 40 | EP 260 / 133.7 × 90 |
| 136.0 | | 30.0 | natural | 150 | EP 260 / 136.0 |
| 139.7 | R 5." | 38.0 | yellow | 100 | EP 260 / 139.7 |
| 141.3 | | 41.4 | yellow | 110 | EP 260 / 141.3 |
| 146.0 | | 41.3 | natural | 100 | EP 260 / 146.0 |
| 149.0 | | 40.0 | natural | 100 | EP 260 / 149.0 |

Material :
LLD-PE,
linear low density polyethylene

Standard Colours :
yellow, natural

The Original
One piece construction
Injection-moulded

Up to 64." nominal pipe size and complemented with over 170 additional sizes. Internal ribs provide tight fit and release pressure build up.

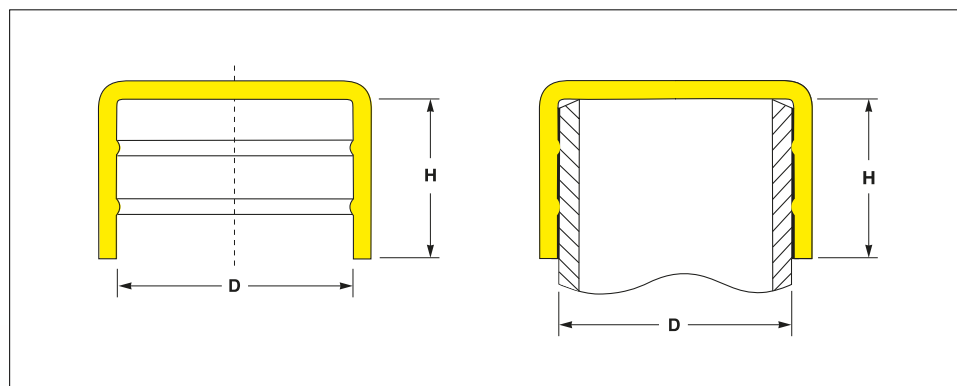
Think Plastic. Go Protec.®

**PROTEC
PLASTICS**

Should your requirements not be shown please ask for a separate quotation.
PROTEC products and specifications are subject to improvement and change without notice.

Pipe Protection Caps

The Original. One piece construction. Injection – moulded. Up to 64." nominal pipe size
Complemented with over 170 additional sizes
Internal ribs provide tight fit and release pressure build up



CAPTOP®

All dimensions in mm

| Dimensions | | | Colour | Standard Pack | Reference No. |
|------------|----------|-------|---------|---------------|----------------------|
| D | Nom Ø | H | | | |
| 151.4 | | 41.5 | natural | 100 | EP 260 / 151.4 |
| 152.4 | R 5.1/2" | 41.5 | yellow | 100 | EP 260 / 152.4 |
| 156.0 | | 40.0 | natural | 80 | EP 260 / 156.0 |
| 159.0 | | 37.0 | yellow | 100 | EP 260 / 159.0 |
| 160.0 | | 40.0 | yellow | 100 | EP 260 / 160.0 |
| 165.0 | | 67.5 | yellow | 40 | EP 260 / 165.0 × 65 |
| 165.1 | | 40.0 | yellow | 90 | EP 260 / 165.1 |
| 168.3 | R 6." | 36.0 | yellow | 75 | EP 260 / 168.3 |
| 168.3 | | 100.0 | yellow | 25 | EP 260 / 168.3 × 100 |
| 176.0 | | 42.4 | yellow | 80 | EP 260 / 176.0 |
| 177.8 | | 42.7 | natural | 80 | EP 260 / 177.8 |
| 180.0 | | 39.0 | yellow | 75 | EP 260 / 180.0 |
| 185.0 | | 41.5 | yellow | 75 | EP 260 / 185.0 |
| 188.7 | | 100.0 | yellow | 25 | EP 260 / 188.7 × 100 |
| 193.7 | | 42.0 | yellow | 60 | EP 260 / 193.7 |
| 200.0 | | 50.0 | yellow | 35 | EP 260 / 200.0 |
| 210.0 | | 40.0 | natural | 30 | EP 260 / 210.0 |
| 219.1 | R 8." | 42.0 | yellow | 50 | EP 260 / 219.1 |
| 225.0 | | 39.0 | yellow | 40 | EP 260 / 225.0 |
| 232.0 | | 42.0 | natural | 60 | EP 260 / 232.0 |
| 242.0 | | 50.0 | natural | 50 | EP 260 / 242.0 |
| 244.5 | | 43.0 | natural | 50 | EP 260 / 244.5 |
| 250.0 | | 47.0 | yellow | 40 | EP 260 / 250.0 |
| 267.0 | | 41.0 | natural | 45 | EP 260 / 267.0 |
| 273.0 | R 10." | 49.0 | yellow | 40 | EP 260 / 273.0 |

Should your requirements not be shown please ask for a separate quotation.
PROTEC products and specifications are subject to improvement and change without notice.

Material :
LLD-PE,
linear low density polyethylene

Standard Colours :
yellow, natural

Individual Productions :
On request we develop and produce individually tailored solutions next to the standard items of this range: additional dimensions, different materials and new colours

We would be pleased to advise you.

Think Plastic. Go Protec.®

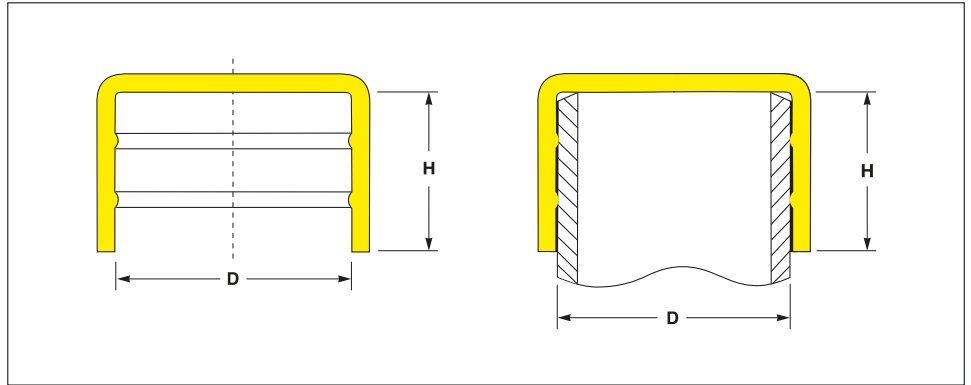
PROTEC
PLASTICS

Large Pipe Protection Caps

Up to 64" nominal pipe sizes and complemented with over 170 additional sizes
Internal ribs provide tight fit and release pressure build up

immediate

FREE SAMPLES



All dimensions in mm

| Dimensions | | | Colour | Standard Pack | Reference No. |
|------------|--------|-------|---------|---------------|-----------------|
| D | Nom Ø | H | | | |
| 323.9 | R 12." | 55.0 | yellow | 25 | EP 260 / 323.9 |
| 355.6 | R 14." | 57.0 | yellow | 27 | EP 260 / 355.6 |
| 368.0 | | 55.0 | yellow | 30 | EP 260 / 368.0 |
| 400.0 | | 65.0 | natural | 25 | EP 260 / 400.0 |
| 406.4 | R 16." | 62.0 | yellow | 30 | EP 260 / 406.4 |
| 419.0 | | 54.0 | yellow | 25 | EP 260 / 419.0 |
| 450.0 | | 66.0 | natural | 14 | EP 260 / 450.0 |
| 457.2 | R 18." | 66.0 | yellow | 32 | EP 260 / 457.2 |
| 508.0 | R 20." | 65.3 | yellow | 26 | EP 260 / 508.0 |
| 558.8 | R 22." | 60.0 | yellow | 22 | EP 260 / 558.8 |
| 609.6 | R 24." | 65.5 | yellow | 20 | EP 260 / 609.6 |
| 660.4 | R 26." | 102.0 | black | 10 | EP 260 / 660.4 |
| 711.2 | R 28." | 115.0 | black | 10 | EP 260 / 711.2 |
| 762.0 | R 30." | 115.0 | black | 10 | EP 260 / 762.0 |
| 812.8 | R 32." | 115.0 | black | 10 | EP 260 / 812.8 |
| 863.6 | R 34." | 153.0 | black | 6 | EP 260 / 863.6 |
| 914.4 | R 36." | 115.0 | black | 10 | EP 260 / 914.4 |
| 1016.0 | R 40." | 115.0 | black | 8 | EP 260 / 1016.0 |
| 1066.8 | R 42." | 102.0 | black | 6 | EP 260 / 1066.8 |
| 1117.6 | R 44." | 115.0 | black | 6 | EP 260 / 1117.6 |
| 1219.2 | R 48." | 115.0 | black | 6 | EP 260 / 1219.2 |
| 1320.8 | R 52." | 150.0 | black | 6 | EP 260 / 1320.8 |
| 1422.4 | R 56." | 146.0 | black | 6 | EP 260 / 1422.4 |
| 1524.0 | R 60." | 150.0 | black | 6 | EP 260 / 1524.0 |
| 1625.6 | R 64." | 150.0 | black | 4 | EP 260 / 1625.6 |

Material :
LLD-PE,
linear low density polyethylene

Standard Colours :
yellow, natural, black

These high quality injection moulded protection caps are suited to the most severe weather conditions due to the use of UV stabilised material and the reinforced design. An additional entrylip also allows easy fitting and removal.

Think Plastic. Go Protec.®



Should your requirements not be shown please ask for a separate quotation.
PROTEC products and specifications are subject to improvement and change without notice.

Large Pipe Protection Caps

Up to 64" nominal pipe sizes and complemented with over 170 additional sizes
Internal ribs provide tight fit and release pressure build up

TRIPLE ADVANTAGE of PROTEC CAPTOP®

QUALITY. These high quality injection moulded protection caps are suited to the most severe weather conditions due to the use of UV stabilised material and the reinforced design. An additional entrylip also allows easy fitting and removal.

AVAILABILITY. With over 400 million moulded components shipped from our UK logistics center we provide the fastest on time delivery service to all industries of the UK market.

PHILOSOPHY. Innovative protective closures at the best price in the market.



CAPTOP®



Material :
LLD-PE,
linear low density polyethylene

Standard Colours :
yellow, natural, black

Individual Productions :
On request we develop and produce individually tailored solutions next to the standard items of this range: additional dimensions, different materials and new colours

We would be pleased to advise you.

Think Plastic. Go Protec.®

PROTEC
PLASTICS